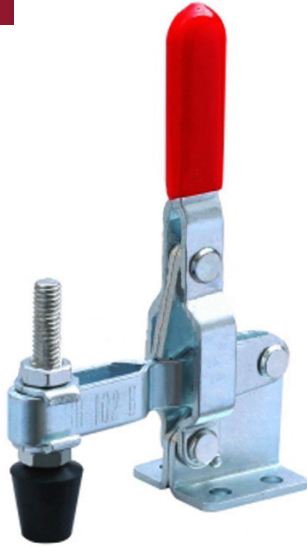
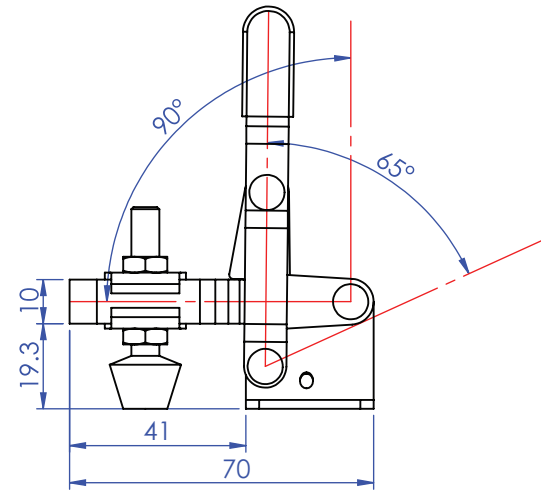
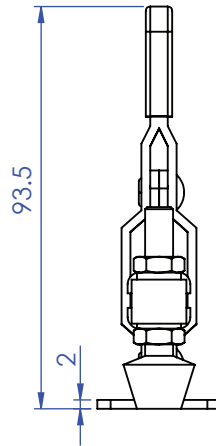
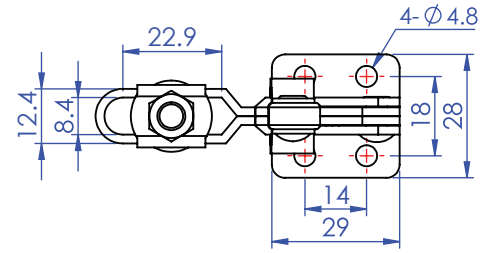


**GH-102-B**

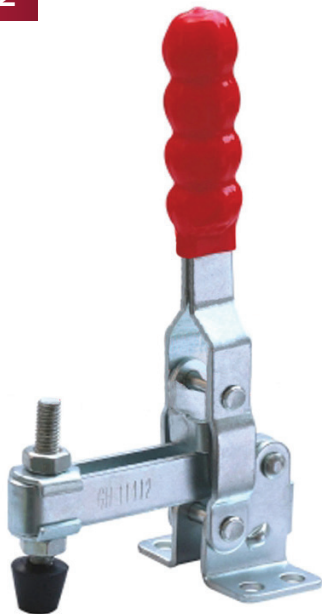


- ▶ WEIGHT (自重): 115g
- ▶ HOLDING CAPACITY (夾持力): 100kg
- ▶ SPINDLE SUPPLIED (壓頭螺絲型號): M6 × 45
- ▶ BAR OPENS (壓把開啟角度): 95°
- ▶ HANDLE OPENS (手柄開啟角度): 65°

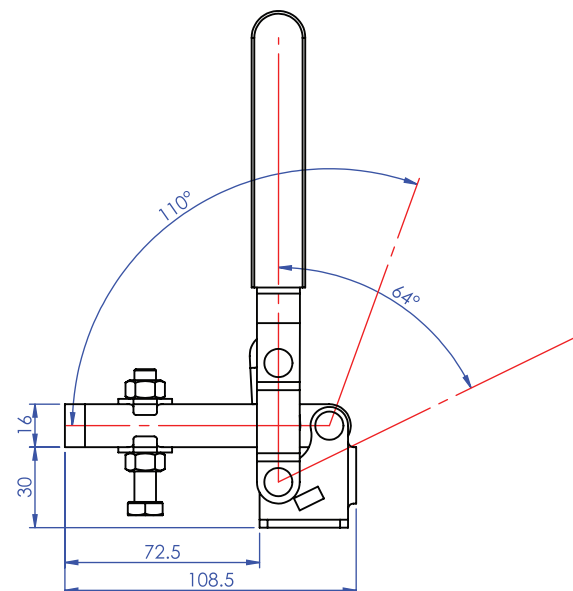
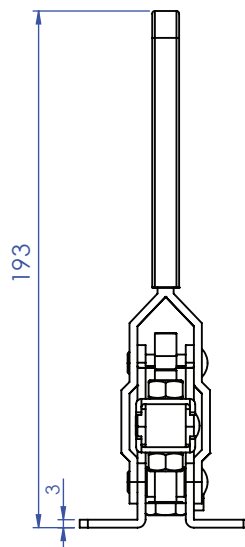
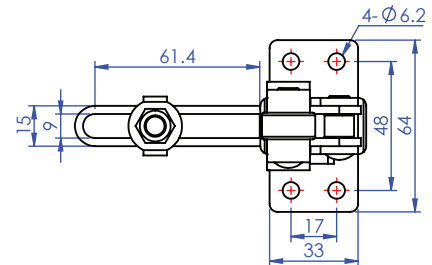


Unit : mm

**GH-11412**



- ▶ WEIGHT (自重): 379g
- ▶ HOLDING CAPACITY (夾持力): 200kg
- ▶ SPINDLE SUPPLIED (壓頭螺絲型號): M8 × 60
- ▶ BAR OPENS (壓把開啟角度): 110°
- ▶ HANDLE OPENS (手柄開啟角度): 64°



Unit : mm